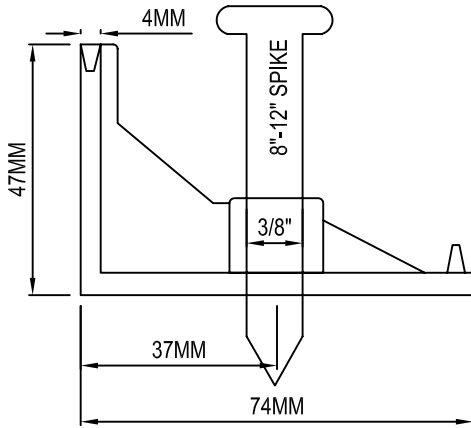
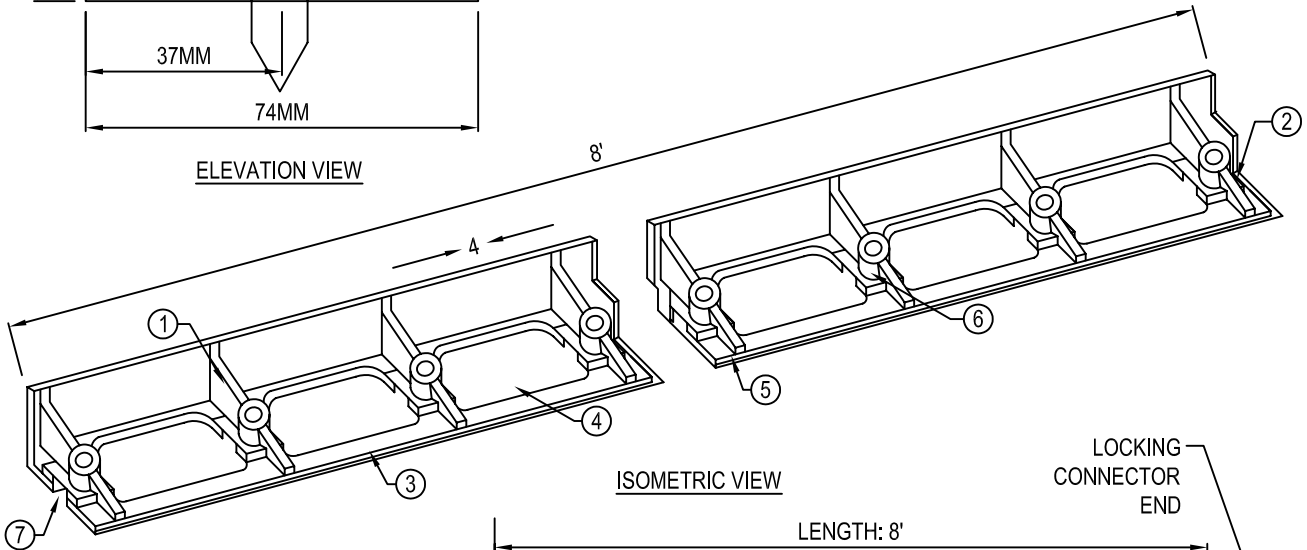


SNAP EDGE

SNAPEDGE
 4-2300 SHIRLEY DRIVE,
 KITCHENER, ON N2B 3Y2
 TOLL FREE: 1-800-720-7627
 PHONE: (519) 745-9996
 FAX: (519) 745-8028
 www.snapedge.ca



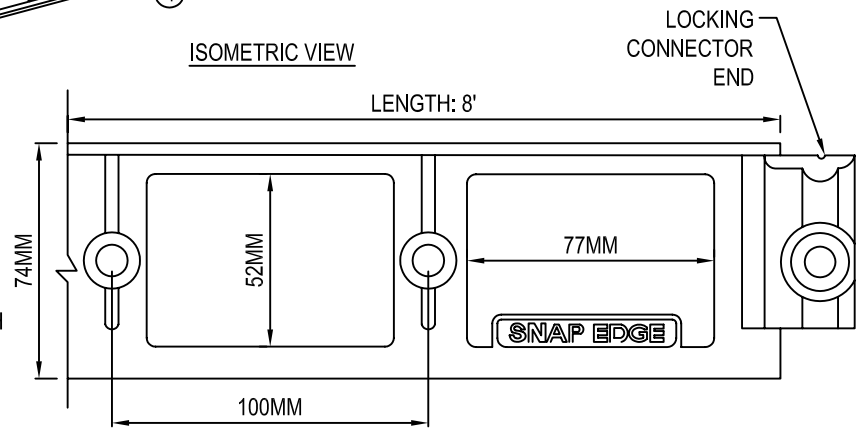
ELEVATION VIEW



ISOMETRIC VIEW

LEGEND:

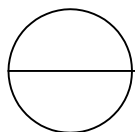
- ① RESTRAINING BRACE
- ② CONNECTOR (TAB)
- ③ BLACK TIE (CUT TO FLEX EDGING)
- ④ OPEN TO ALLOW FOR ROOT GROWTH
- ⑤ STACKING PEG
- ⑥ SPIKE BASE
- ⑦ CONNECTOR (SLOT)



PLAN VIEW

NOTES:

1. INSTALLATION TO BE COMPLETED IN ACCORDANCE WITH MANUFACTURER'S SPECIFICATIONS.
2. ALL DIMENSIONS ARE CONSIDERED TRUE AND REFLECT MANUFACTURER'S SPECIFICATIONS.
3. DO NOT SCALE DRAWING.
4. THESE DRAWINGS ARE NOT FOR CONSTRUCTION PURPOSES AND ARE FOR INFORMATION PURPOSES ONLY. ALL INFORMATION CONTAINED HEREIN WAS CURRENT AT THE TIME OF DEVELOPMENT BUT MUST BE REVIEWED AND APPROVED BY THE PRODUCT MANUFACTURER TO BE CONSIDERED ACCURATE.
5. CONTRACTOR'S NOTE: FOR PRODUCT AND COMPANY INFORMATION VISIT www.CADdetails.com/info REFERENCE NUMBER 4801-001.



PAVER EDGING

SNAPEDGE ORIGINAL - 8'