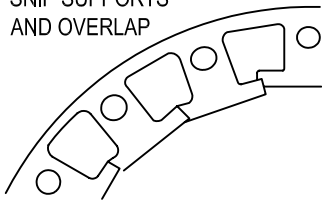


# SNAP EDGE

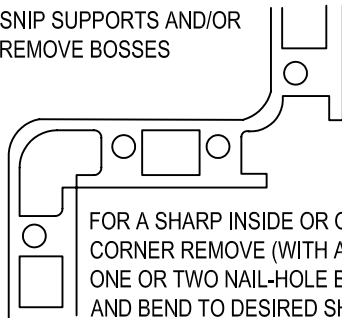
SNAPEDGE  
 4-2300 SHIRLEY DRIVE,  
 KITCHENER, ON N2B 3Y2  
 TOLL FREE: 1-800-720-7627  
 PHONE: (519) 745-9996  
 FAX: (519) 745-8028  
 www.snapedge.ca

SNIP SUPPORTS AND OVERLAP



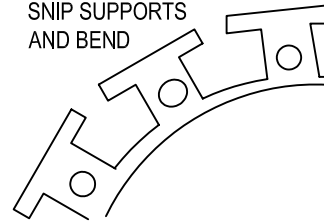
FOR A GENTLE INSIDE RADIUS. SNIP SUPPORTS TO OVERLAP AS YOU BEND INTO SHAPE

SNIP SUPPORTS AND/OR REMOVE BOSSES

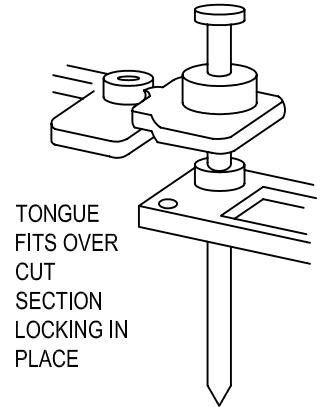


FOR A SHARP INSIDE OR OUTSIDE CORNER REMOVE (WITH A SAW) ONE OR TWO NAIL-HOLE BOSSES AND BEND TO DESIRED SHAPE

SNIP SUPPORTS AND BEND



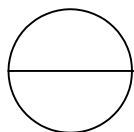
FOR A GENTLE OUTSIDE RADIUS SNIP THE APPROPRIATE SUPPORTS AND BEND



TONGUE FITS OVER CUT SECTION LOCKING IN PLACE

**NOTES:**

1. IN COLD WEATHER, SHARP CORNERS MAY REQUIRE WARMING TO PREVENT BREAKAGE DURING BENDING.
2. PAVING STONE PROJECTS MAY REQUIRE DEVIATION FROM THESE GUIDELINES AND ARE BEYOND THE SCOPE OF THIS SET OF INSTRUCTIONS. IT IS ALWAYS BEST TO SEEK ADVICE FROM YOUR PAVER SUPPLIER.
3. SWEEPING DESIGNS FLOWING FROM PATIO TO DRIVEWAY CAN BE ACCOMPLISHED WITH A LITTLE EXTRA ADVICE FROM YOUR PAVER SUPPLIER. BARRIER™ PAVER RESTRAINT IS USED FOR TREE CIRCLES AND PLANTERS. BARRIER™ HOLDS DOWN LANDSCAPE FABRIC SO WEEDS WON'T GROW IN PPLANTER AREA. SPRINKLER HEADS ARE EASILY INSTALLED CLOSE TO THE PAVERS WITHOUT CUTTING BARRIER™. YOUR PAVING STONE SUPPLIER CAN ADVISE YOU ON LOCAL CONDITIONS AND PRACTICES.
4. GOOD SAFETY PRACTICES MUST BE FOLLOWED INCLUDING THE USE OF SAFETY GOGGLES, SAFETY GLOVES, STEEL TOES FOOTWEAR, KNEE GUARDS, AND PROTECTIVE CLOTHING. THE OPERATING INSTRUCTIONS MUST BE FOLLOWED FOR ALL EQUIPMENT USED. THIS IS VERY IMPORTANT.
5. MANSON DIAMOND SAWS AND PLATE COMPACTORS CAN BE DANGEROUS TO OPERATE WITHOUT PROPER INSTRUCTION, IMPROPER USE OR HANDLING OF ALL EQUIPMENTS USED DURING PAVER OR BARRIER™ INSTALLATION CAN CAUSE SERIOUS INJURY, BLINDNESS OR EVEN DEATH.
6. INSTALLATION TO BE COMPLETED IN ACCORDANCE WITH MANUFACTURER'S SPECIFICATIONS.
7. ALL DIMENSIONS ARE CONSIDERED TRUE AND REFLECT MANUFACTURER'S SPECIFICATIONS.
8. DO NOT SCALE DRAWING.
9. THESE DRAWINGS ARE NOT FOR CONSTRUCTION PURPOSES AND ARE FOR INFORMATION PURPOSES ONLY. ALL INFORMATION CONTAINED HEREIN WAS CURRENT AT THE TIME OF DEVELOPMENT BUT MUST BE REVIEWED AND APPROVED BY THE PRODUCT MANUFACTURER TO BE CONSIDERED ACCURATE.
10. CONTRACTOR'S NOTE: FOR PRODUCT AND COMPANY INFORMATION VISIT [www.CADdetails.com/info](http://www.CADdetails.com/info) REFERENCE NUMBER 4801-045.



## HOW TO USE BARRIER™ AS A PAVER EDGING

FINISHING THE PROJECT - FIGURE 13