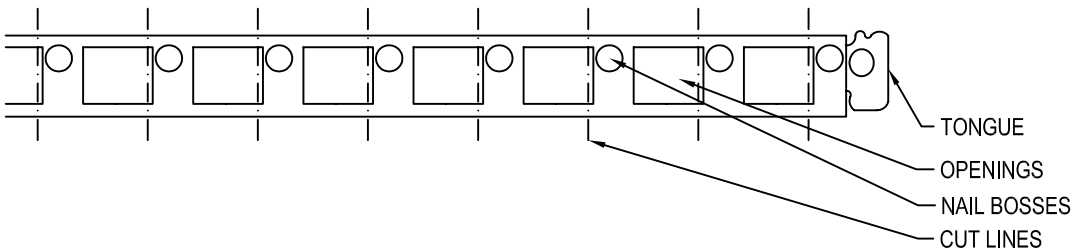
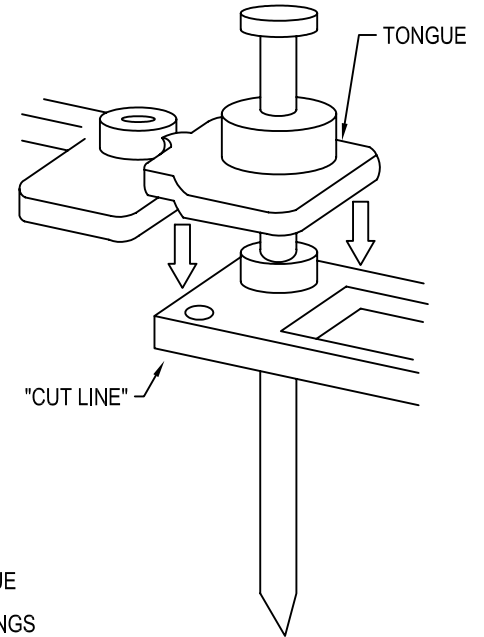
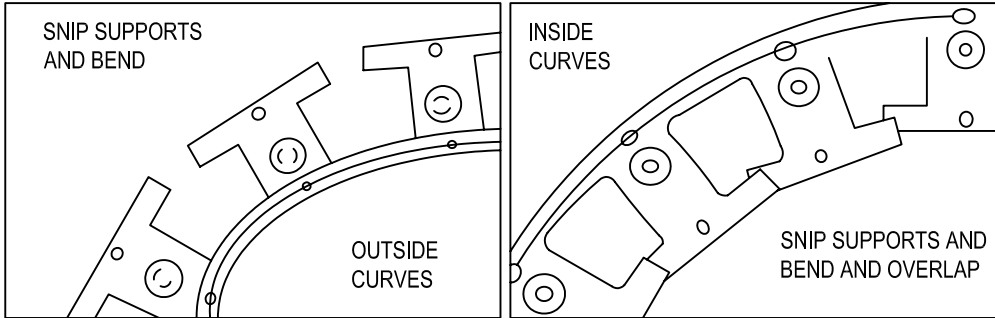


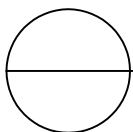
SNAP EDGE

SNAPEDGE
 4-2300 SHIRLEY DRIVE,
 KITCHENER, ON N2B 3Y2
 TOLL FREE: 1-800-720-7627
 PHONE: (519) 745-9996
 FAX: (519) 745-8028
 www.snapedge.ca



NOTES:

1. $\frac{3}{8}$ " DIAM. NAILS MAY BE 8", 10", OR 12" LONG. USING MORE 8" NAILS IS PREFERABLE TO USING FEWER 12" NAILS.
2. IF YOU BACK-FILL WITH TOPSOIL, CONSIDER INSTALLING LANDSCAPE FABRIC FIRST FOR WEED CONTROL.
3. USING MORE NAILS HOLDS THE LANDSCAPE FABRIC EVEN MORE SECURELY.
4. A SHRUB MAY BE LOCATED IN A LANDSCAPE FABRIC THE SIZE OF THE ROOT BALL. PLANT SHRUB. FILL AROUND SHRUB OF THE ROOT BALL. PLANT SHRUB. FILL AROUND SHRUB AND ENTIRE DECORATIVE AREA WITH LANDSCAPE FILL (BARK, ROCK, TOPSOIL, ETC).
5. WHEN CREATING CURVES, SNIP SUPPORTS AND BEND. THEN SPREAD OF OVERLAP THE CUT SUPPORTS DEPENDING ON WHETHER YOU ARE CREATING AN INSIDE OR OUTSIDE CURVE.
6. BARRIER MAY BE SHORTENED BY TRIMMING ON "CUT LINES" THE TONGUE OF THE NEXT SECTION WILL LOCK OVER THE SHORTENED PIECE. SPIKING THE JOINT WITH A $\frac{3}{8}$ " DIAM NAIL WILL ADD FURTHER STRENGTH AND STABILITY.
7. INSTALLATION TO BE COMPLETED IN ACCORDANCE WITH MANUFACTURER'S SPECIFICATIONS.
8. ALL DIMENSIONS ARE CONSIDERED TRUE AND REFLECT MANUFACTURER'S SPECIFICATIONS.
9. DO NOT SCALE DRAWING.
10. THESE DRAWINGS ARE NOT FOR CONSTRUCTION PURPOSES AND ARE FOR INFORMATION PURPOSES ONLY. ALL INFORMATION CONTAINED HEREIN WAS CURRENT AT THE TIME OF DEVELOPMENT BUT MUST BE REVIEWED AND APPROVED BY THE PRODUCT MANUFACTURER TO BE CONSIDERED ACCURATE.
11. CONTRACTOR'S NOTE: FOR PRODUCT AND COMPANY INFORMATION VISIT www.CADdetails.com/info REFERENCE NUMBER 4801-036.



HOW TO USE BARRIER™ AS A LANDSCAPE EDGING

TIPS FOR QUICK AND EASY INSTALLATION